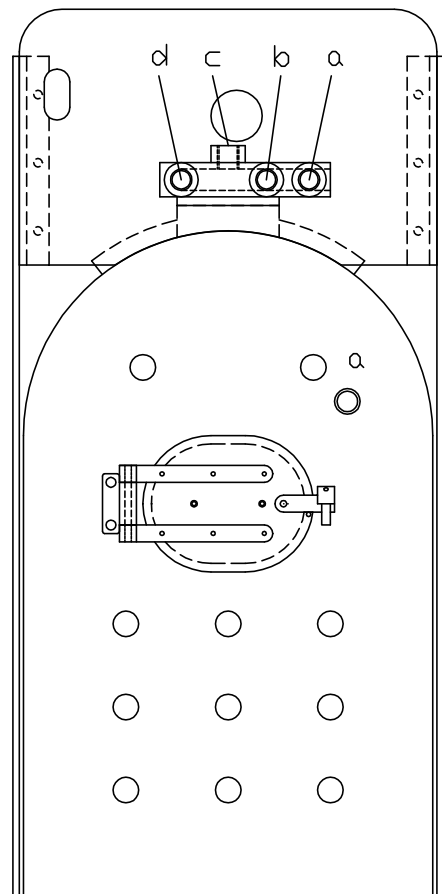


**NOTE**

BOTTOM TAPPED HOLE 'a' FOR WATER GAUGE SHOULD BE CONFIRMED ON MODEL

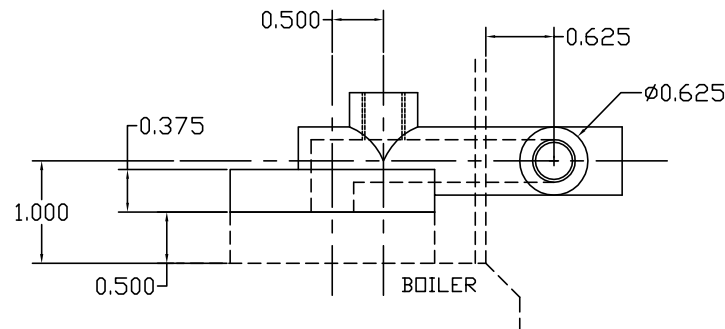


ALL BOSSES TAPPED 3/8" X 32tpi

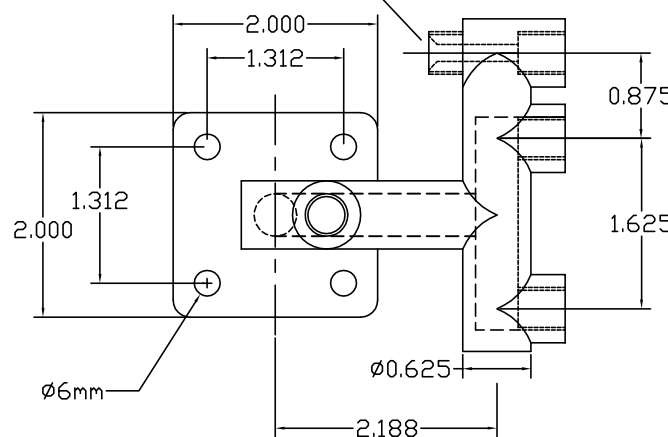
- a-a Water gauge
- b Injector steam feed
- c Pressure gauge feed
- d Water lifter steam feed

**NOTE**

WATER GAUGE STEAM FEED MUST NOT SHARE STEAM FEED WITH OTHER MANIFOLD FITTINGS. USE SHORT LENGTH OF COPPER PIPE FOR STEAM FEED FROM BOSS ON BOILER CROWN.

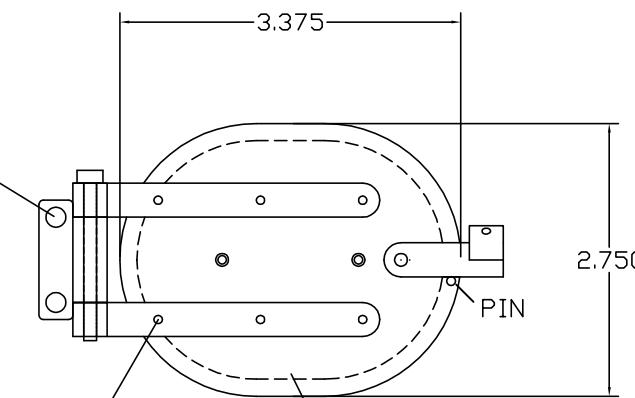


UNION FOR COPPER PIPE STEAM FEED FROM BUSH ON BOILER TOP



STEAM MANIFOLD ; BRONZE FABRICATION

2BA STUDS INTO BACKHEAD

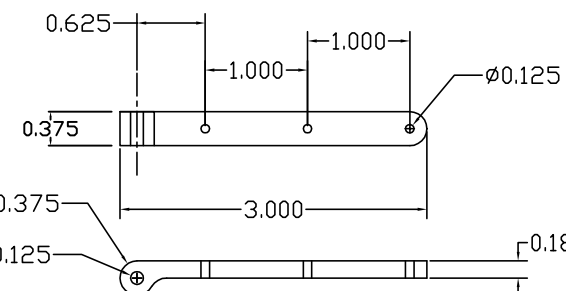


ROUND HEAD IRON RIVETS 0.125" DIA

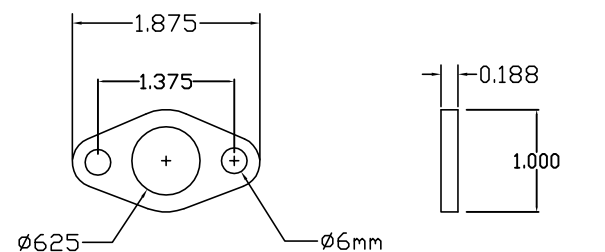
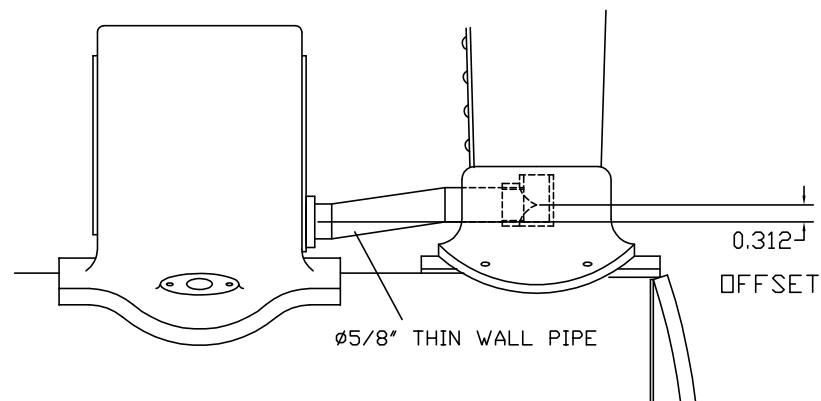
DOOR 10SWG STEEL

STEEL BAFFLE

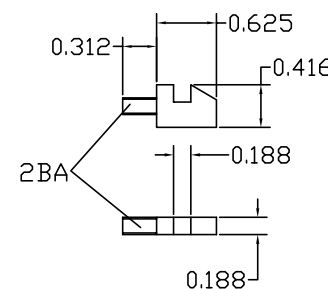
FIREHOLE DOOR ; MILD STEEL



HINGE BRACKETS



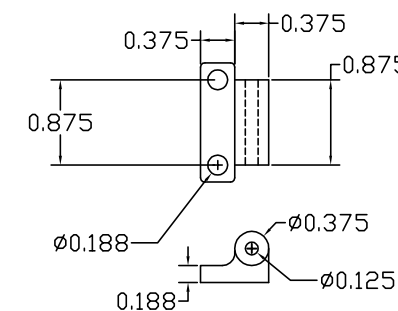
EXHAUST FLANGE ; BRASS  
SILVER SOLDERED TO BLAST PIPE



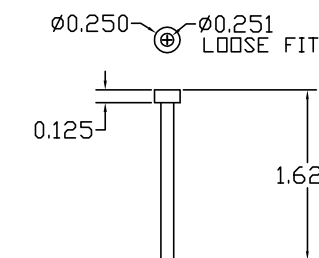
DOOR CATCH

**NOTE**

FIREHOLE DOOR AND BLASTPIPE DIMENSIONS SHOULD BE CONFIRMED ON MODEL

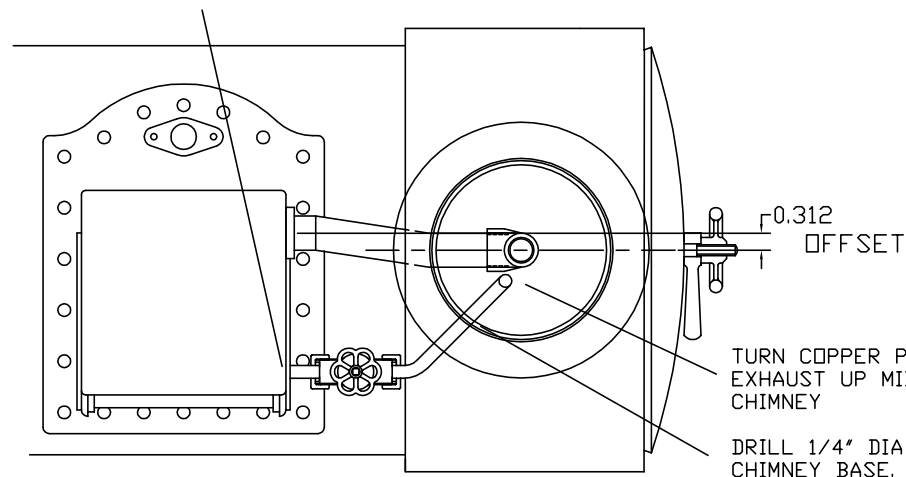


HINGE



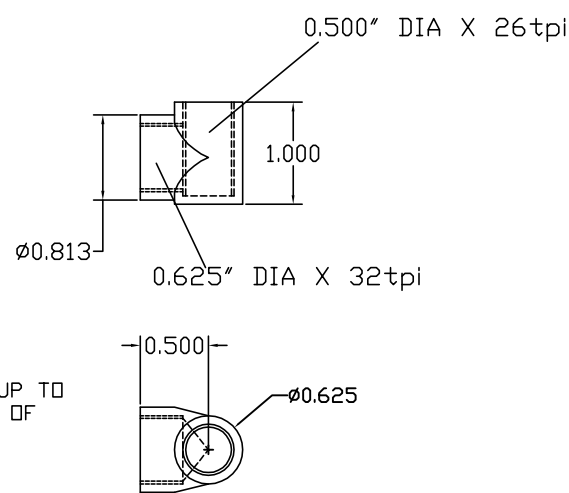
HINGE PIN

1/4" 32 TPI IN CYLINDER AND DRILLED TO PICK UP STEAM FEED.

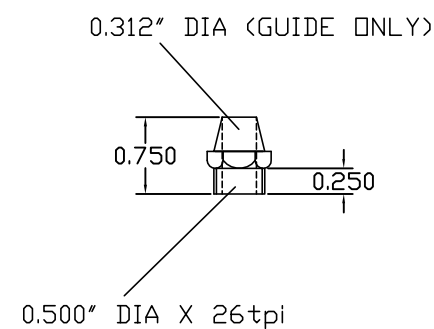


BLAST PIPE ; 5/8" DIA ANNEALED COPPER PIPE

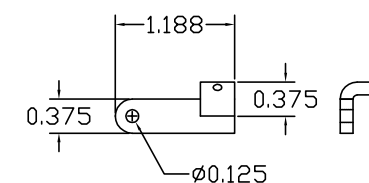
BLOWER PIPE ; 1/4" DIA ANNEALED COPPER PIPE



ELBOW ; BRONZE FABRICATION



NOZZLE ; BRONZE



DOOR LATCH

DRILL 0.62" DIA FOR CHAIN

LITTLE SAMSON MODELS

SAVAGE LITTLE SAMSON

MANIFOLD & FIREHOLE DOOR

SCALE 4" SCALE DATE 29-11-09

SHEET 43