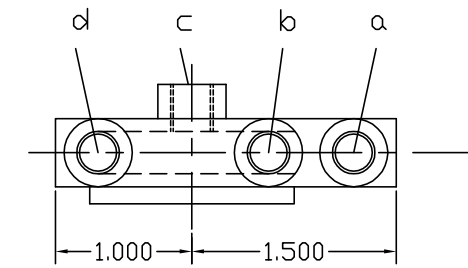
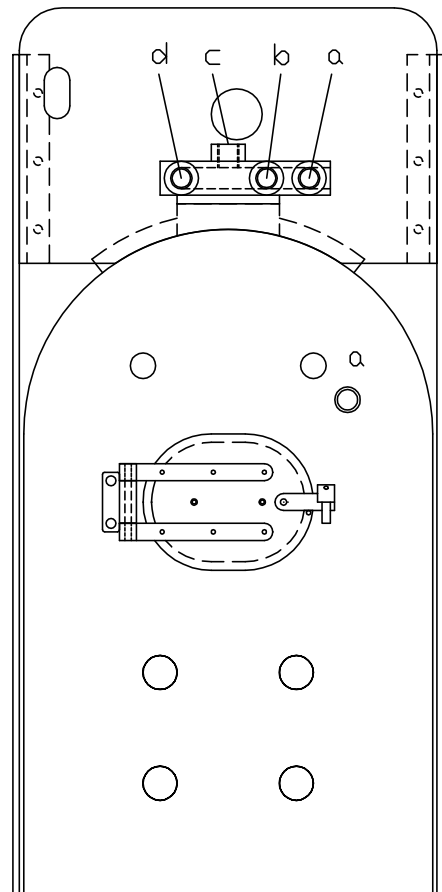


**NOTE**

BOTTOM TAPPED HOLE 'a' FOR WATER GAUGE SHOULD BE CONFIRMED ON MODEL

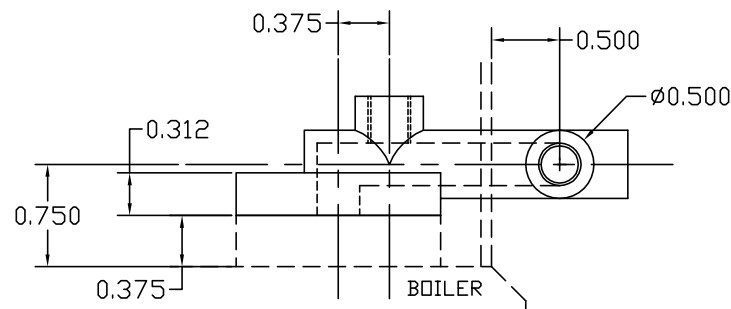


ALL BOSSES TAPPED  $\frac{5}{16}$ " X 32tpi

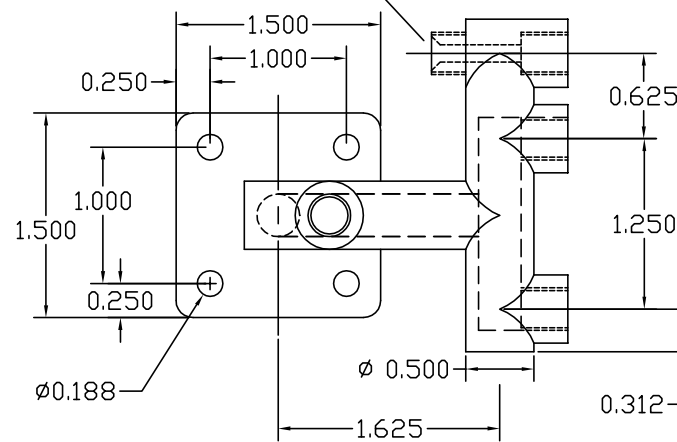
- a-a Water gauge
- b Injector steam feed
- c Pressure gauge feed
- d Water lifter steam feed

**NOTE**

WATER GAUGE STEAM FEED MUST NOT SHARE STEAM FEED WITH OTHER MANIFOLD FITTINGS. USE SHORT LENGTH OF COPPER PIPE FOR STEAM FEED FROM BOSS ON BOILER CROWN.

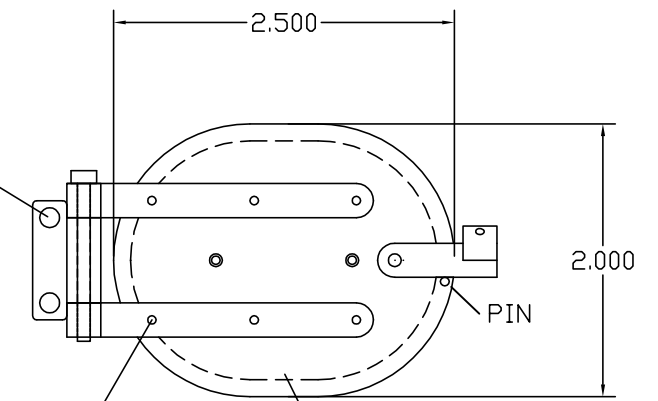


UNION FOR COPPER PIPE STEAM FEED FROM BUSH ON BOILER TOP



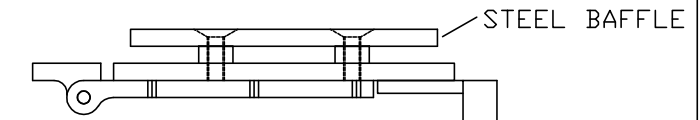
STEAM MANIFOLD ; BRONZE FABRICATION

4BA STUDS INTO BACKHEAD

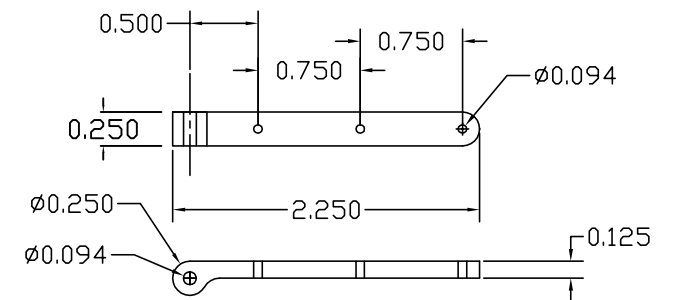


ROUND HEAD IRON RIVETS 0.094" DIA

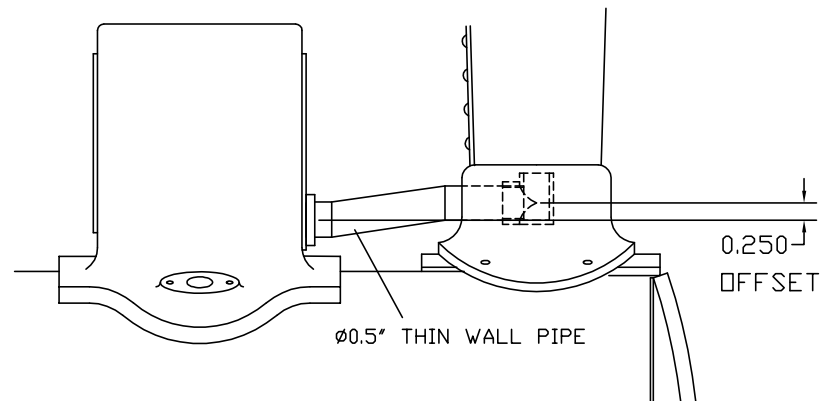
DOOR 14SWG STEEL



FIREHOLE DOOR ; MILD STEEL



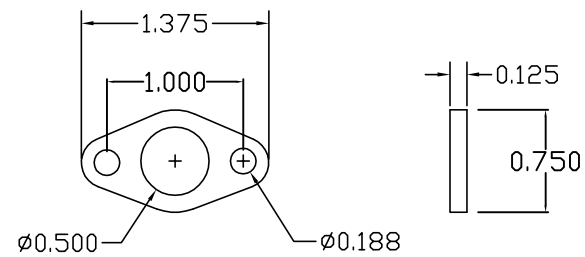
HINGE BRACKETS



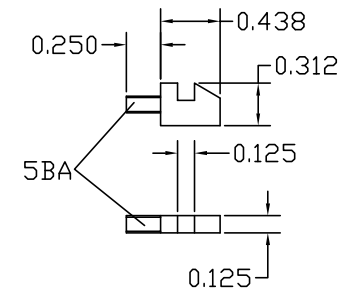
$\phi 0.5$ " THIN WALL PIPE

0.250" OFFSET

$\frac{3}{16}$ " 40 TPI IN CYLINDER AND DRILLED TO PICK UP STEAM FEED.



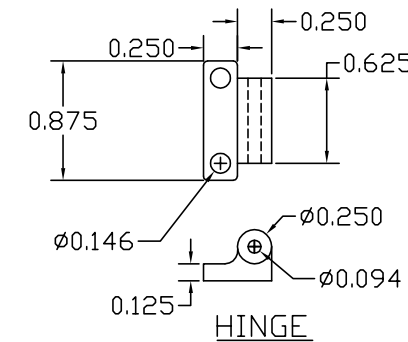
EXHAUST FLANGE ; BRASS  
SILVER SOLDERED TO BLAST PIPE



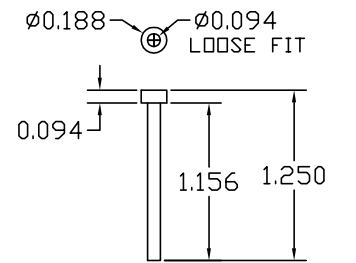
DOOR CATCH

**NOTE**

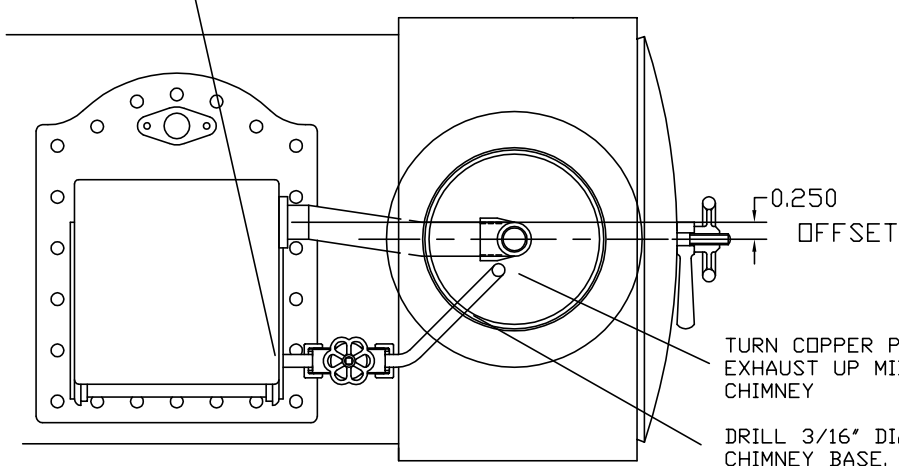
FIREHOLE DOOR AND BLASTPIPE DIMENSIONS SHOULD BE CONFIRMED ON MODEL



HINGE



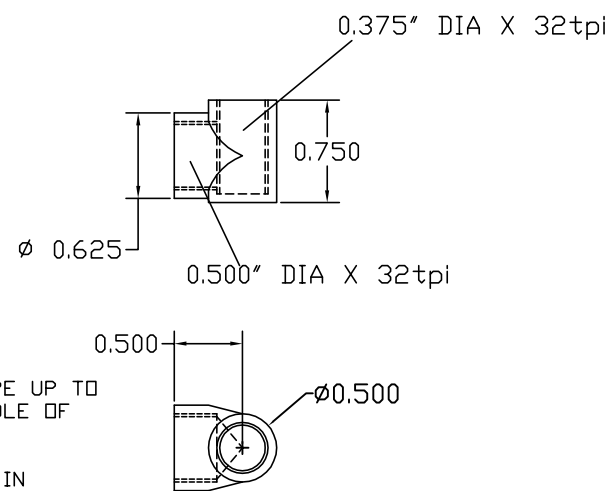
HINGE PIN



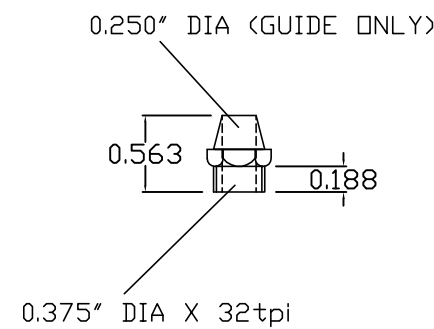
BLAST PIPE ;  $\frac{1}{2}$ " DIA ANNEALED COPPER PIPE

BLOWER PIPE ;  $\frac{3}{16}$ " DIA ANNEALED COPPER PIPE

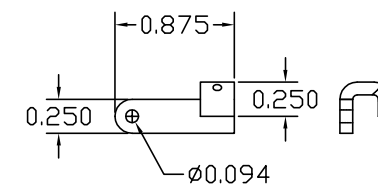
TURN COPPER PIPE UP TO EXHAUST UP MIDDLE OF CHIMNEY  
DRILL  $\frac{3}{16}$ " DIA IN CHIMNEY BASE.



ELBOW ; BRONZE FABRICATION



NOZZLE ; BRONZE



DOOR LATCH

DRILL 0.62" DIA FOR CHAIN

LITTLE SAMSON MODELS	
SAVAGE LITTLE SAMSON	
MANIFOLD & FIREHOLE DOOR	
SCALE 3"	SCALE DATE 13-08-09
SHEET 43	