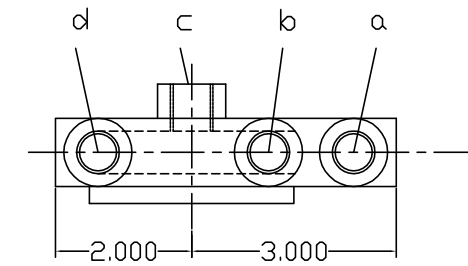
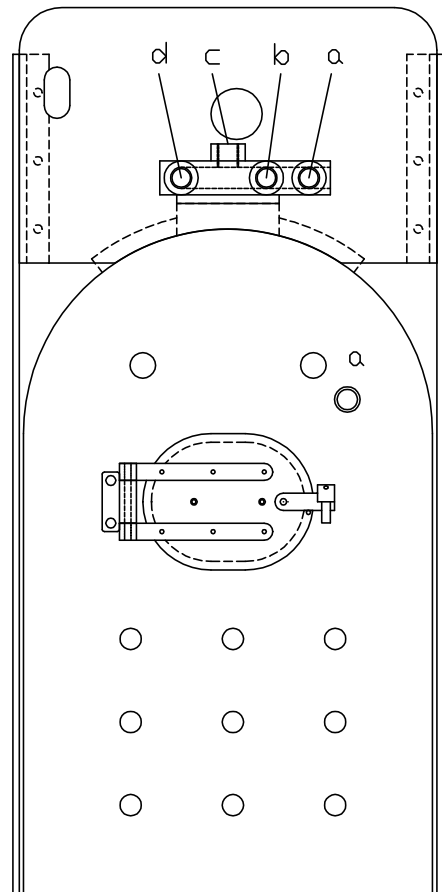


NOTE

BOTTOM TAPPED HOLE 'a' FOR WATER GAUGE SHOULD BE CONFIRMED ON MODEL

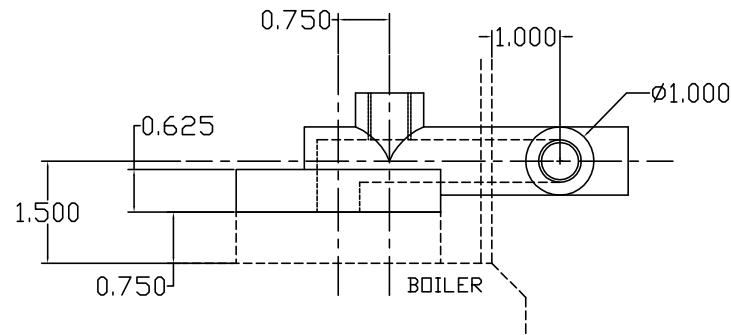


ALL BOSSES TAPPED 5/8" X 26tpi

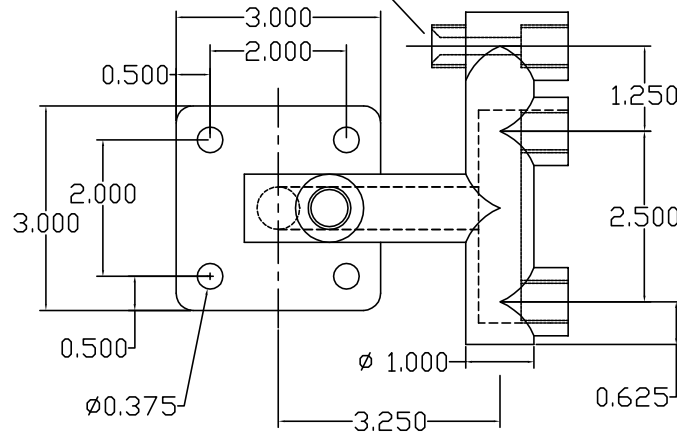
- a-a Water gauge
- b Injector steam feed
- c Pressure gauge feed
- d Water lifter steam feed

NOTE

WATER GAUGE STEAM FEED MUST NOT SHARE STEAM FEED WITH OTHER MANIFOLD FITTINGS. USE SHORT LENGTH OF COPPER PIPE FOR STEAM FEED FROM BOSS ON BOILER CROWN.

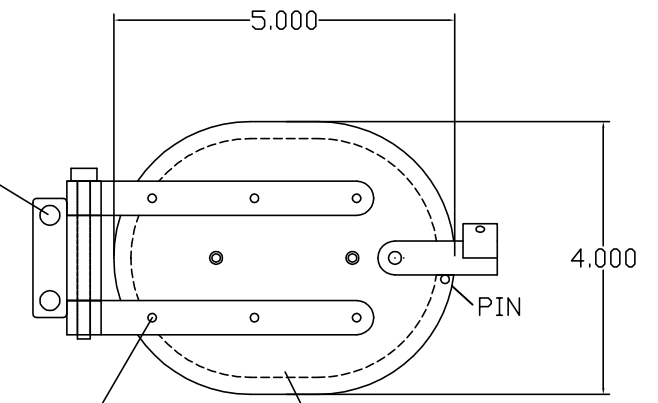


UNION FOR COPPER PIPE STEAM FEED FROM BUSH ON BOILER TOP



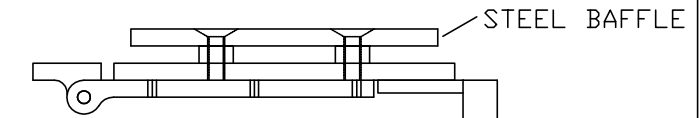
STEAM MANIFOLD ; BRONZE FABRICATION

M8 STUDS INTO BACKHEAD

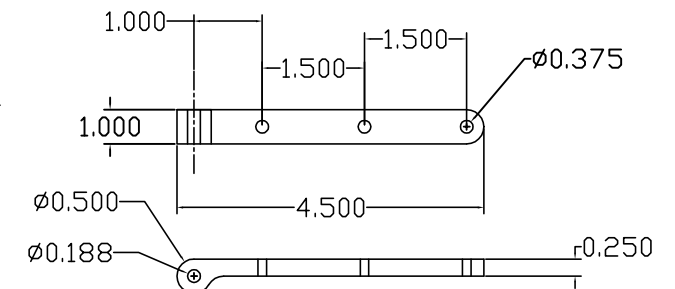


ROUND HEAD IRON RIVETS 3/16" DIA

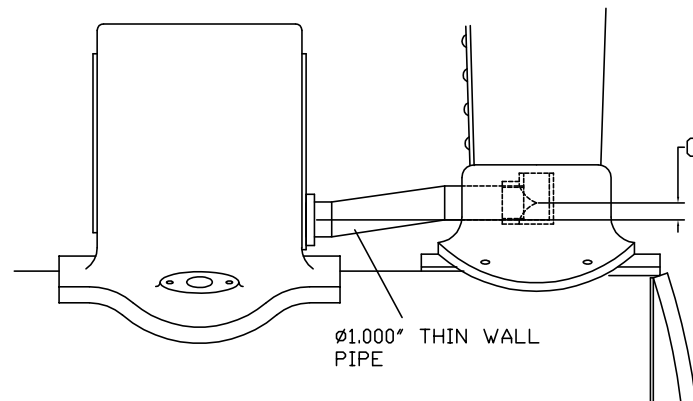
DOOR 10SWG STEEL



FIREHOLE DOOR ; MILD STEEL

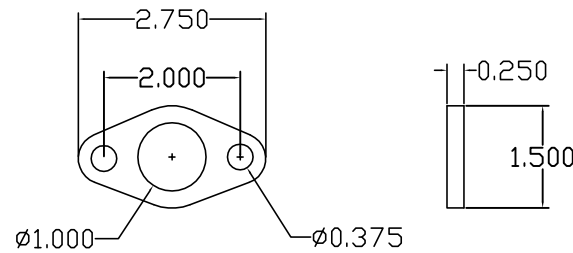


HINGE BRACKETS

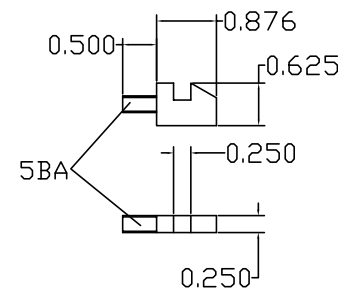


Ø1.000" THIN WALL PIPE

3/8" 32 TPI IN CYLINDER AND DRILLED TO PICK UP STEAM FEED.



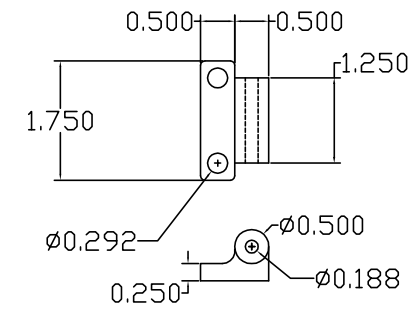
EXHAUST FLANGE ; BRASS
SILVER SOLDERED TO BLAST PIPE



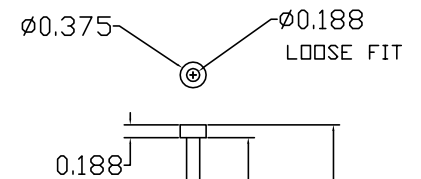
DOOR CATCH

NOTE

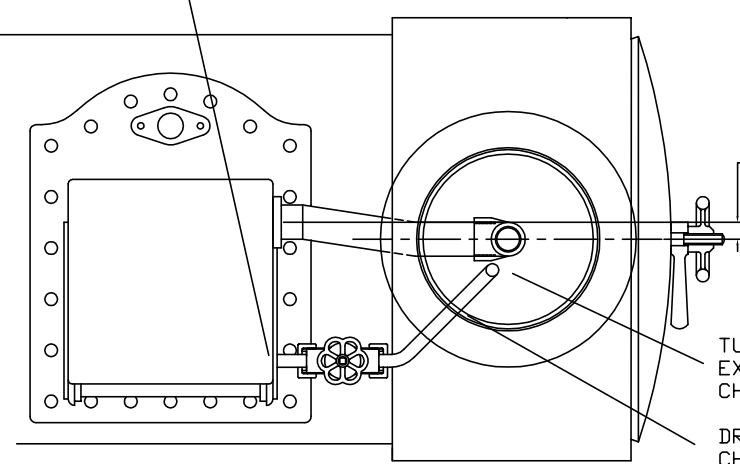
FIREHOLE DOOR AND BLASTPIPE DIMENSIONS SHOULD BE CONFIRMED ON MODEL



HINGE



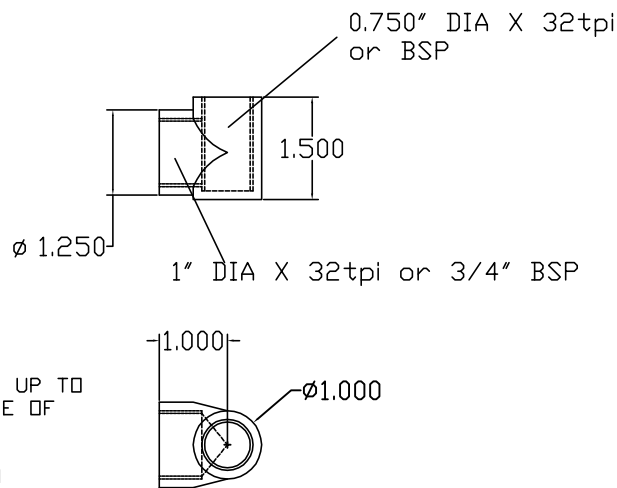
HINGE PIN



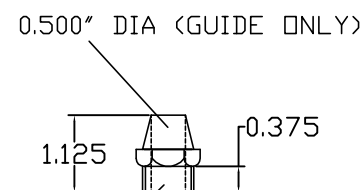
BLAST PIPE ; 1" DIA ANNEALED COPPER PIPE

BLOWER PIPE ; 3/8" DIA ANNEALED COPPER PIPE

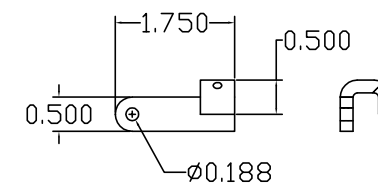
TURN COPPER PIPE UP TO EXHAUST UP MIDDLE OF CHIMNEY
DRILL 3/8" DIA IN CHIMNEY BASE.



ELBOW ; BRONZE FABRICATION



NOZZLE ; BRONZE



DOOR LATCH

DRILL 0.125" DIA FOR CHAIN

LITTLE SAMSON MODELS	
SAVAGE LITTLE SAMSON	
MANIFOLD & FIREHOLE DOOR	
SCALE 6"	SCALE DATE 25-10-09
SHEET 43	